

DESIGN / QUOTE REQUISITION

THESE FORMS MUST BE COMPLETE BEFORE A DESIGN WILL BE STARTED



PAGE ____ OF ____

CONTACT PERSON: _____ EMAIL: _____

PHONE #: _____ FAX #: _____

CUSTOMER NAME (TAG NAME) : _____

DESIGN INFORMATION

DESIGN FORMAT: Color Views Elevations Quote/ Cabinet List

CABINETRY

CABINET MANUFACTURER: _____

DOOR STYLE: _____

WOOD & STAIN: _____

DOOR & DRAWER HARDWARE

Yes No

If "Yes", Please Specify

Doors: _____

Drawers: _____

MOULDINGS

Top of Wall Cabinets: _____ Ceiling Height: _____

Bottom of Wall Cabinets: _____ Bulkhead: H ____ W ____ D ____

CABINET BOX DIMENSIONS

WALL CABINET HEIGHT 30"

36"

40.5"

STACKED/STAGGERED

VANITY CABINET HEIGHT: 31 5/8"

34 5/8"

VANITY CABINET DETH 21"

18"

16"

CORNER CABINET OPTIONS

BASE:

WALL:

BC(L/R)

WC(L/R)

BA

WA

ISLAND/ PENINSULA

ONE HEIGHT

RAISED EATING BAR

OTHER CONSIDERATIONS

COUNTERTOP: _____

BACKSPLASH

TOEKICK

ORGANIZATION

LAZY SUSAN

SLIDE OUT TRAYS

WASTE BIN

WINE RACK

PLATE RACK

APPLIANCE GARAGE

MISCELLANEOUS

CORBELS/ BRACKETS

VALANCE

LEGS/FEET

GLASS DOORS

RANGE HOOD

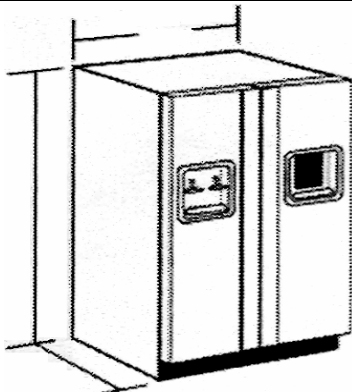
POSTS

Your Kitchen Appliances



Use This page to provide the dimensions of your Appliances or Appliance Cutouts

PAGE ___ OF ___

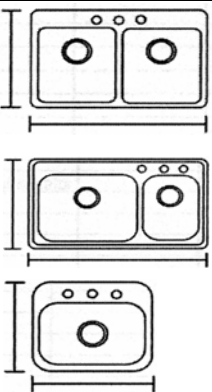


Refrigerator

W _____
 H _____
 D _____

Double Door
 Single Door

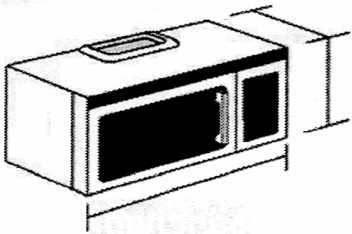
Left Right



Sink

Single
 1 1/2
 Double

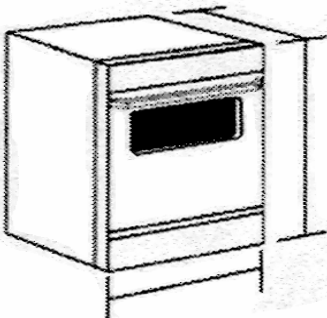
W _____
 D _____



Microwave

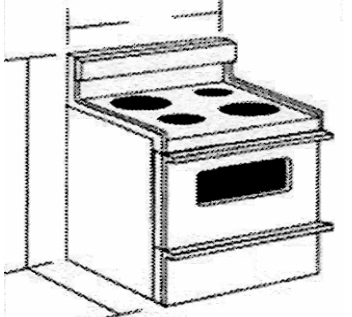
W _____
 H _____
 D _____

Free Standing
 Built in (Cutout)
 Over Range



Single Oven
(Cutout Dimensions)

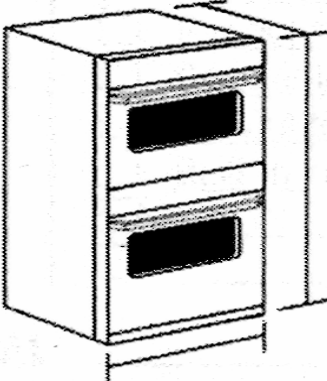
W _____
 H _____
 D _____



Range

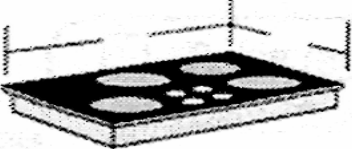
W _____
 H _____
 D _____

Slide in
 Raised Back



Double Oven
(Cutout Dimensions)

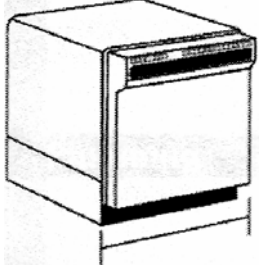
W _____
 H _____
 D _____



Cook top (Cutout Dims.)

W _____
 H _____
 D _____

Front Controls
 Top Controls



Dishwasher

W _____
 H _____
 D _____

Other Appliances

Description: _____

W _____
 H _____
 D _____

Description: _____

W _____
 H _____
 D _____

Your Kitchen Floor Plan



Use This Grid to show the dimensions of your kitchen

PAGE ___ OF ___

FLOOR PLAN CHECK LIST:

- Wall Dimensions
- Door Dimensions
- Window Dimensions
- Cabinet Dimensions

DESIGN NOTES:
